

Typ 5.15 ZIP SCREEN

Functions Solar Shading
 Darkening (bedroom)
 Privacy
 Isolation
 Insect screen

Use Internal and External

Min width: 600 mm

Max width: 8000 mm

Max height: 14000 mm



Technical Information

Head-box

Material: Aluminum Extruded
Dimension: 160 x 145 mm
Finish: Powder coating in RAL or Anodized.

Barrel

Material: Steel galvanized grooved tube
Types: Ø 78 mm, Ø 85 mm, Ø 100 mm

Bottom Bar

Material: Aluminium Extruded
Dimension: 27 x 58 mm
Finish: Powder coating in RAL or Anodized.

Note: Other Bottom-bars possible

Guides

Material: Aluminium Extruded with PVC Insert
Dimension: 63 x 45 mm
Finish: Powder coating in RAL or Anodized.
Color Insert: Black, White or Grey

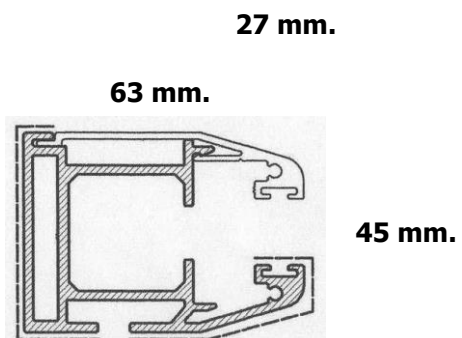
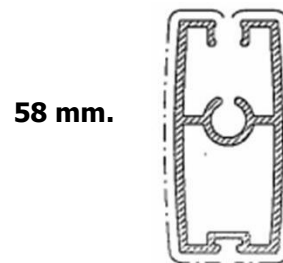
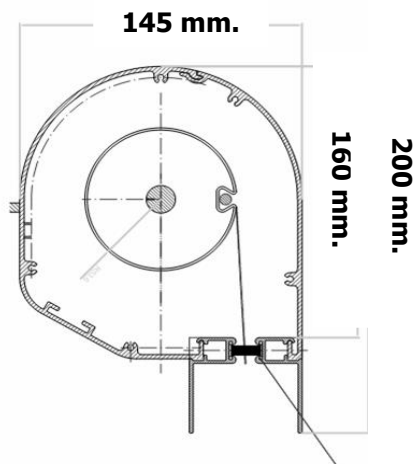
Optional: - Guide fitting for installation in RAL or Anodized.
 - Or pre-drilling for installation.

Note: Other guides possible

Fabric

Material: Various
ZIP: Sealed to fabric
Type: Blackout or Shade
Brands: Soltis 86, Soltis 92, Soltis B92

Optional: Printed fabric.



Typ **5.15 ZIP SCREEN**

Application Solar Shading
 Darkening (bedroom)
 Privacy
 Isolation
 Insect screen

Use Internal and External

Private Residence used for Solar Shading, privacy and protection against wind and insects:



Private Residence:



Private Residence:

